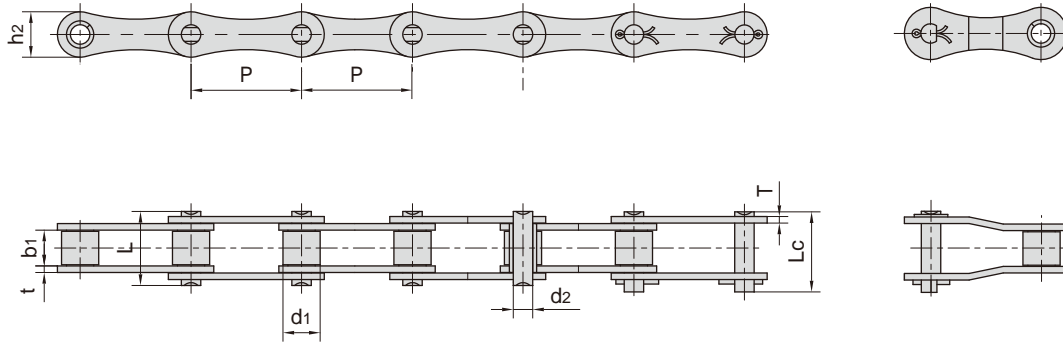


双节距传动链 Double pitch transmission chains



DIN/ISO 链号 DIN/ISO Chain No.	ANSI 链号 ANSI Chain No.	节距 Pitch P	滚子直径 Roller diameter d1 max	内节内宽 Width between inner plates b1 min	销轴直径 Pin diameter d2 max	销轴长度 Pin length		内链板高度 Inner plate depth h2 max	链板厚度 Plate thickness t/T max	抗拉强度 Tensile strength Q min	平均抗拉强度 Average tensile strength Q0	每米长重 Weight per meter q
						L max	Lc max					
		mm	mm	mm	mm	mm	mm	mm	mm	kN/lbf	kN	kg/m
208A	2040	25.40	7.95	7.85	3.96	16.6	17.8	12.0	1.50	14.1/3205	16.7	0.42
208B		25.40	8.51	7.75	4.45	16.7	18.2	11.8	1.60	18.0/4091	19.4	0.45
210A	2050	31.75	10.16	9.40	5.08	20.7	22.2	15.0	2.03	22.2/5045	28.1	0.73
210B		31.75	10.16	9.65	5.08	19.5	20.9	14.7	1.70	22.4/5091	27.5	0.65
212A	2060	38.10	11.91	12.57	5.94	25.9	27.7	18.0	2.42	31.8/7227	36.8	1.02
212B		38.10	12.07	11.68	5.72	22.5	25.2	16.0	1.85	29.0/6591	32.2	0.76
216A	2080	50.80	15.88	15.75	7.92	32.7	36.5	24.0	3.25	56.7/12886	65.7	1.70
216B		50.80	15.88	17.02	8.28	36.1	39.1	21.0	4.15/3.10	60.0/13636	72.8	1.75
220A	2100	63.50	19.05	18.90	9.53	40.4	44.7	30.0	4.00	88.5/20114	102.6	2.55
220B		63.50	19.05	19.56	10.19	41.3	45.0	26.4	4.50/3.50	95.0/14773	106.7	2.62
224A	2120	76.20	22.23	25.22	11.10	50.3	54.3	35.7	4.80	127.0/28864	147.3	4.06
224B		76.20	25.40	25.40	14.63	53.4	57.8	33.2	6.00/4.80	160.0/36364	178.0	4.70
228B		88.90	27.94	30.99	15.90	65.1	69.5	36.7	7.50/6.00	200.0/45455	222.0	6.23
232B		101.60	29.21	30.99	17.81	66.0	71.0	42.0	7.00/6.00	250.0/56818	277.5	6.72
208AH	2040H	25.40	7.95	7.85	3.96	18.8	19.9	12.0	2.03	14.1/3205	16.7	0.53
210AH	2050H	31.75	10.16	9.40	5.08	22.1	23.8	15.0	2.42	22.2/5045	28.1	0.79
212AH	2060H	38.10	11.91	12.57	5.94	29.2	31.0	18.0	3.25	31.8/7227	36.8	1.28
216AH	2080H	50.80	15.88	15.75	7.92	36.2	39.4	24.0	4.00	56.7/12886	70.0	2.17
220AH	2100H	63.50	19.05	18.90	9.53	43.6	47.2	30.0	4.80	88.5/20114	102.6	3.15
224AH	2120H	76.20	22.23	25.22	11.10	53.5	57.5	35.7	5.60	127.0/28864	147.3	4.57