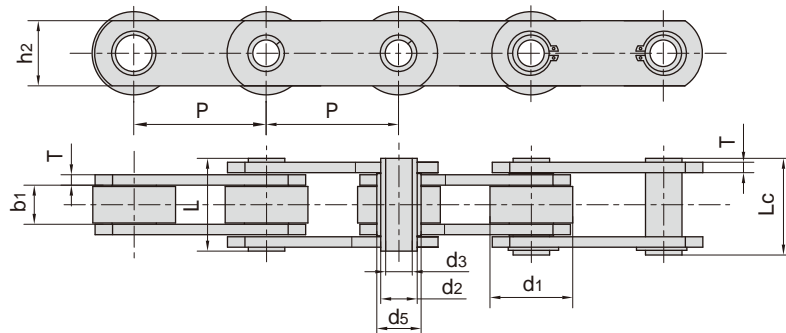
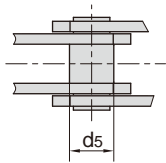


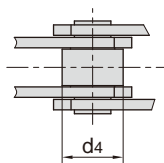
FVC系列空心销轴输送链 Hollow pin conveyor chains (FVC series)



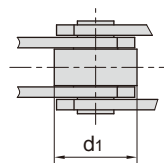
无滚子
without rollers



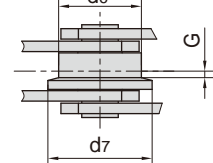
带S型小滚子
with S small rollers type



带P型大滚子
with P large rollers type



带F型带肩滚子
with F flanged rollers type



DIN 链号 DIN Chain No.	节距 Pitch							滚子尺寸 Roller dimension				
	P							d1 max	d4 max	d6 max	d7 max	G
	mm	mm	mm	mm	mm	mm	mm	mm	mm	mm	mm	mm
FVC63	63.0	80.0	100.0	125.0	160.0	-	-	40.0	26.0	50.0	63.0	5.0
FVC90	63.0	80.0	100.0	125.0	160.0	200.0	250.0	48.0	30.0	63.0	78.0	6.5
FVC112	100.0	125.0	160.0	200.0	250.0	-	-	55.0	32.0	72.0	90.0	7.5
FVC140	100.0	125.0	160.0	200.0	250.0	-	-	60.0	36.0	80.0	100.0	9.0
FVC180	125.0	160.0	200.0	250.0	315.0	-	-	70.0	42.0	100.0	125.0	13.0
FVC250	160.0	200.0	250.0	315.0	400.0	-	-	80.0	50.0	125.0	155.0	15.0
FVC315	160.0	200.0	250.0	315.0	400.0	-	-	90.0	60.0	140.0	175.0	18.0

DIN 链号 DIN Chain No.	内节内宽 Width between inner plates	销轴直径 Pin diameter		套筒直径 Bush diameter	销轴长度 Pin length		链板厚度 Plate thickness	链板高度 Plate depth	抗拉强度 Tensile strength
	b1 min	d2 max	d3 min	d5 max	L max	Lc max	T max	h2 max	Q min
	mm	mm	mm	mm	mm	mm	mm	mm	kN/lbf
FVC63	22.0	12.0	8.0	18.0	45.0	50.5	4.0	30.0	46.0/10454
FVC90	25.0	14.0	10.0	20.0	53.0	56.5	5.0	35.0	73.0/16590
FVC112	30.0	16.0	11.0	22.0	62.0	63.0	6.0	40.0	90.0/20454
FVC140	35.0	18.0	12.0	26.0	67.0	68.5	6.0	45.0	110.0/25000
FVC180	45.0	20.0	14.0	30.0	86.0	88.0	8.0	50.0	145.0/32954
FVC250	55.0	26.0	18.0	36.0	97.0	103.5	8.0	60.0	215.0/48863
FVC315	65.0	30.0	20.0	42.0	117.0	121.5	10.0	70.0	295.0/67044